

# SCREW FEED **HAMMER MILL CRUSHER**

## SCREW FEED HAMMER MILL CRUSHER FOR MECHANICAL SAMPLING SYSTEMS

SGS sampling equipment is manufactured and tested under strict control by experienced SGS engineers. SGS has been designing and developing mechanical sampling systems more than 30 years.

SGS uses tried and proven designs for sampling equipment, and has the capability of designing unique solutions to specific sampling problems when necessary.

### ADVANTAGES AND KEY HIGHLIGHTS

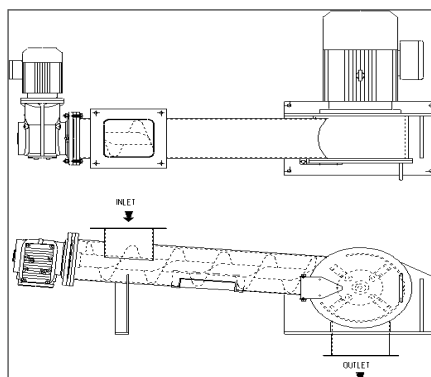
- Wear resistant liners that may be replaced with rolls in situ
- Compact size relative to capacity
- Reduced maintenance
- Permits foreign, un-crushable material to pass
- Adjustable product size
- Build up of sticky material minimized
- Negligible moisture loss due to heat generation or wind
- Production of fines minimized

### FEATURES

- Grooved, toothed roll faces
- Replaceable, cast alloy steel drum liners
- Shaft mounted helical bevel gear motors
- One roll spring loaded
- Adjustable gap
- Range of standard single and double roll toothed crushers
- Adjustable scrapers

### OTHER AVAILABLE FEATURES

- Variable feed rate – 20 to 100% of nominal capacity
- Reversal auger for discharge of uncrushed sizing samples or bias test samples



### CONTACT INFORMATION

Email us at [minerals@sgs.com](mailto:minerals@sgs.com)  
[www.sgs.com/mining](http://www.sgs.com/mining)

# SGS

WHEN YOU NEED TO BE SURE